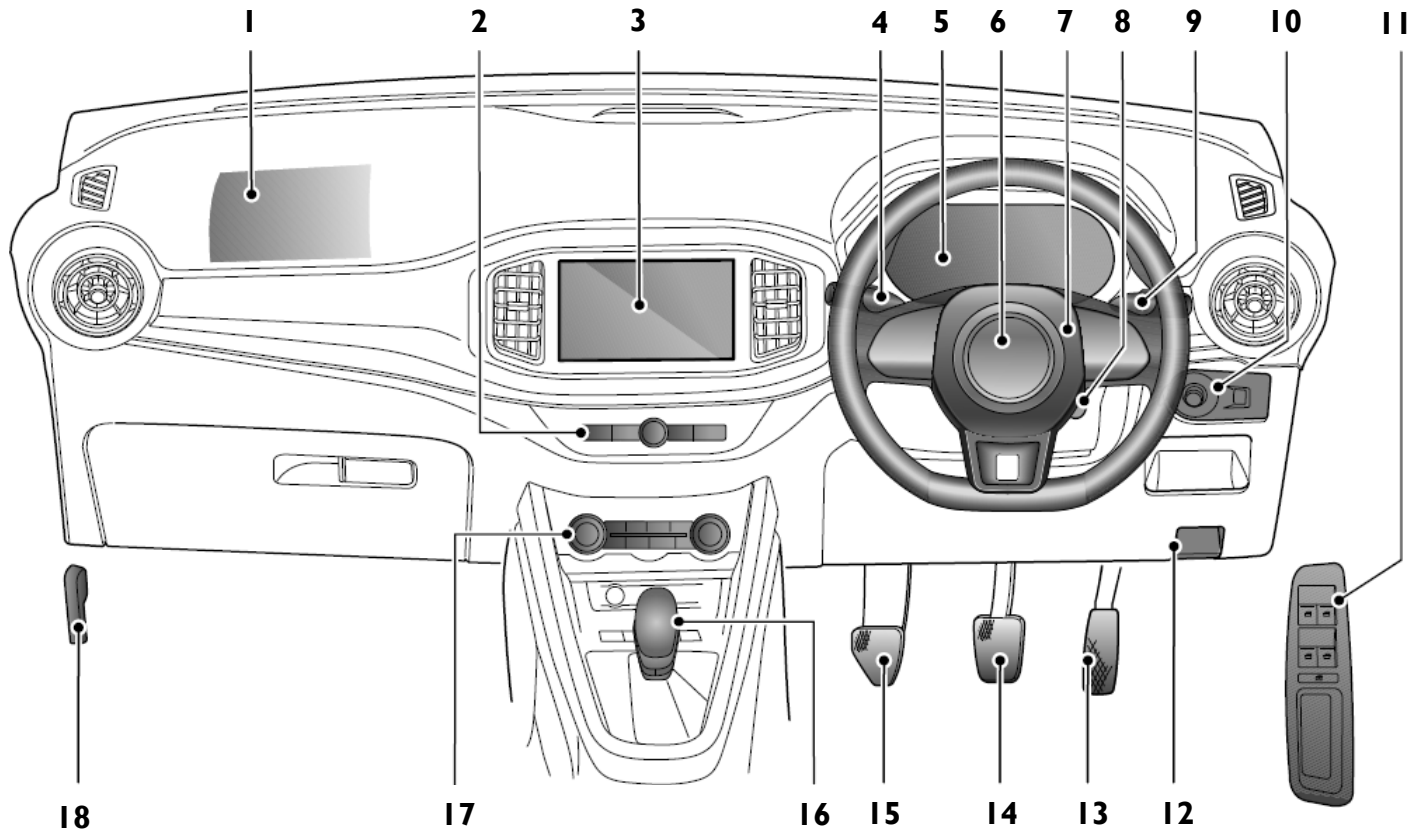


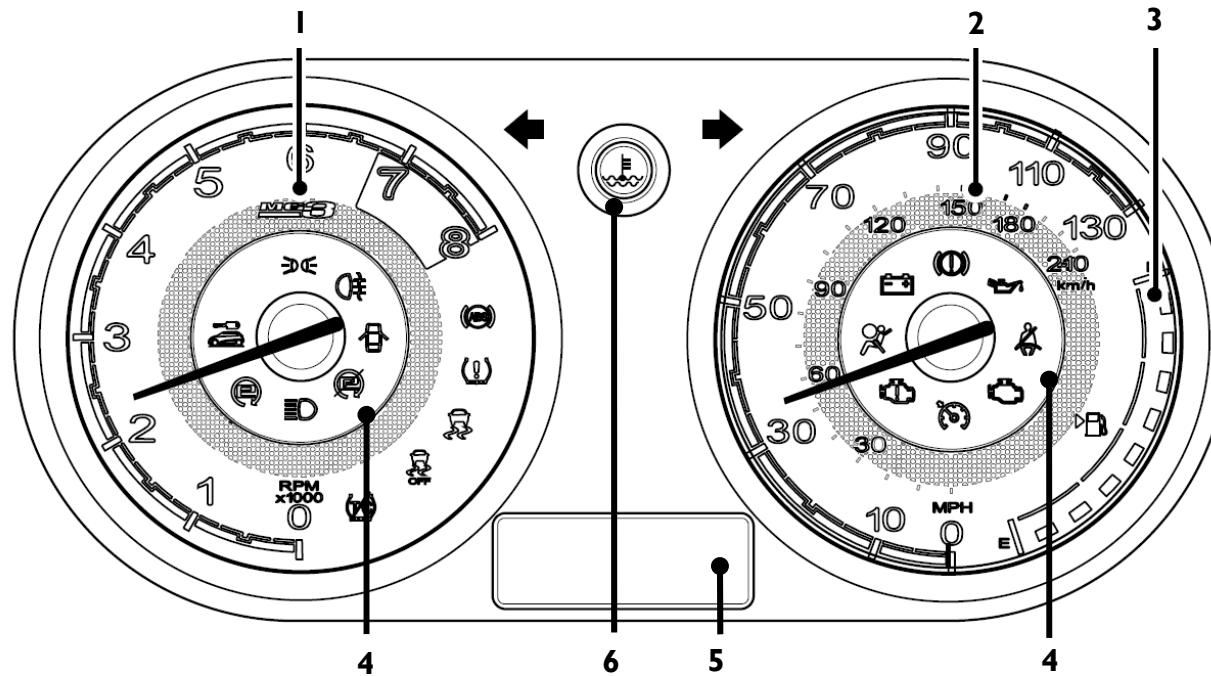
Interior Layout



Interior Layout

1. Passenger Airbag
2. Entertainment Controls
2. On Board Entertainment System
3. Direction Indicators/Main Beam Switch
4. Instrument Pack
5. Driver Airbag
6. Horn
7. Ignition Switch
8. Wiper/Washer Controls
10. Headlamp Levelling and Mirror Control
11. Window Controls
12. Fuel Filler Release
13. Accelerator Pedal
14. Brake Pedal
15. Clutch Pedal
16. Gear Shift Lever
17. Heater & A/C Controls
18. Bonnet Release

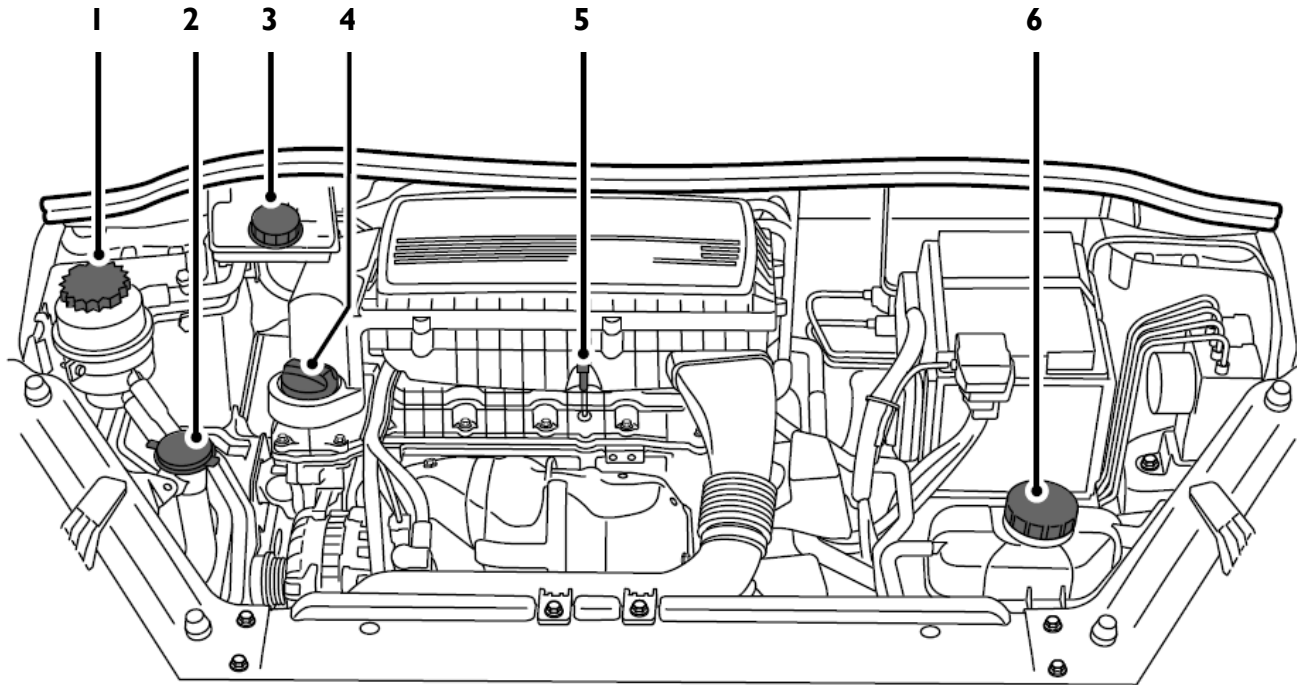
Instrument Pack



1. Speedometer - Indicates road speed in miles and kilometres per hour
2. Tachometer - Indicates engine speed in revolutions per minute x 1000
3. Fuel Gauge - The quantity of fuel in the tank is indicated by the number of segments illuminated.
4. Warning Lamp Displays
5. Information Centre Display - Trip computer and driver information is communicated via this display.
6. Coolant Temperature Warning Lamp

Please consult Owners Handbook for detailed warning light description and function

Underbonnet Locations 1.5L



- | | |
|---------------------------------------|----------------------------------|
| 1. Power Assisted Steering Fluid | 4. Oil filler cap (black cap) |
| 2. Washer fluid reservoir (blue cap) | 5. Oil dipstick (yellow) |
| 3. Brake fluid reservoir (yellow cap) | 6. Coolant reservoir (black cap) |

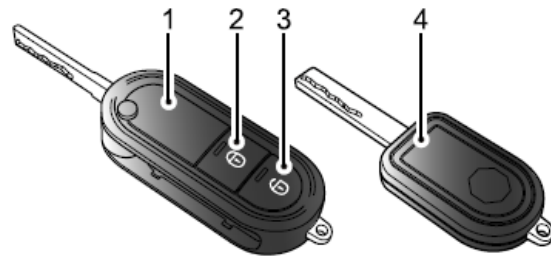
Recommended Fluids, Capacities and Pressures 1.5L

Engine Oil	C5 0W-20	4.1 Litres
Engine Coolant	Glycol (OAT)	5.6 Litres
Transmission Fluid - Manual	MTF 94	1.8 Litres
Brake Fluid	DOT 4	0.73 Litres
Washer Fluid	Qx35	2.5 Litres
Power Assisted Steering Fluid	Dexron III	0.92 Litres
Air Conditioning Refrigerant, g	R1234yf	470±20 g
Fuel Tank		45 Litres

Tyre Pressures (cold)

Front	14"	2.2 bar (32 psi)	16"	2.2 bar (32 psi)
Rear	14"	2.2 bar (32 psi)	16"	2.2 bar (32 psi)

Remote Key, Ignition Switch and Starting



1. Remote Key
2. Lock button
3. Unlock button
4. Basic Key Blade

Position LOCK

- Insert or remove handset/key.
- Rotate steering wheel to activate lock.

Position ACC

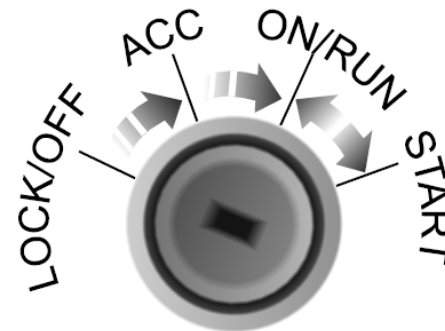
- Stop the engine, the handset can not be pulled out.
- Limited electrical equipment operation (wipers etc).

Position On

- Engine will run after starting
- Limited electrical equipment will function with engine not running (no A/C or heated rear window)
- All electrical equipment will function when engine running

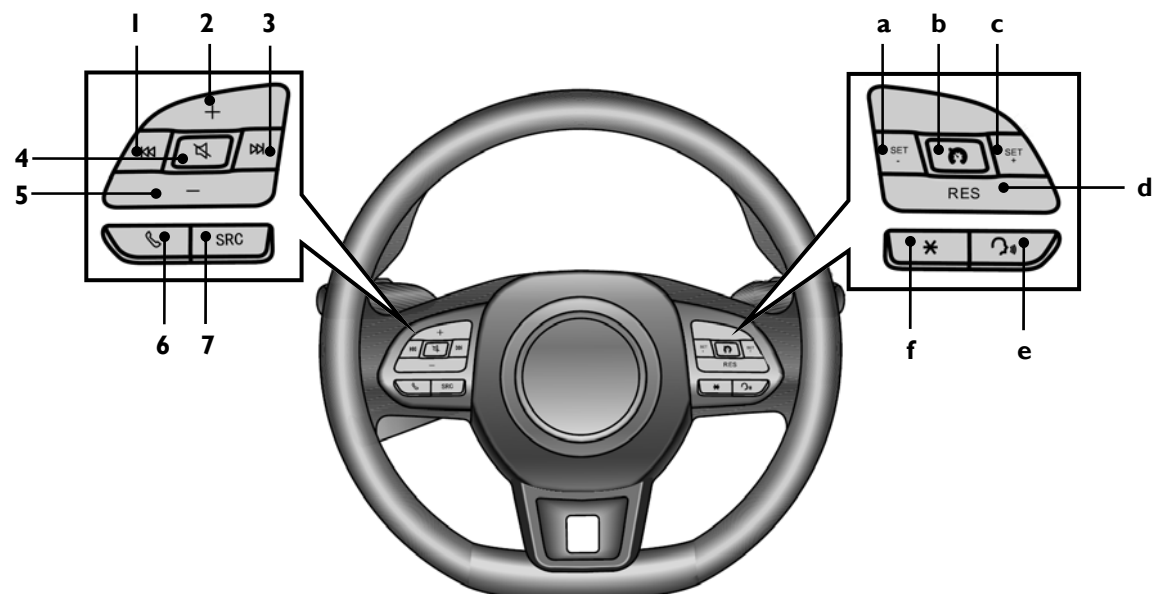
Position START

- Start the engine.
- Release the handset immediately after the engine is started, the ignition switch will return to position 2 automatically.



Please consult Owners Handbook for detailed starting description and function

Steering Wheel Controls



In Car Entertainment

1. Previous/Rewind
2. Volume Up
3. Next/Fast Forward
4. Mute
5. Volume Down
6. Accept/End Call
7. Source

Cruise Control*

- a. Reduce/Set
- b. Main On/Off
- c. Increase/Set
- d. Resume
- e. SIRI* (requires Apple CarPlay)
- f. Shortcut Key

Trip Computer



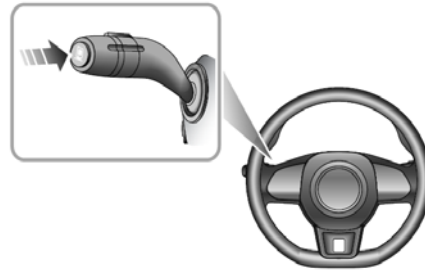
Odometer



Instantaneous Fuel Consumption



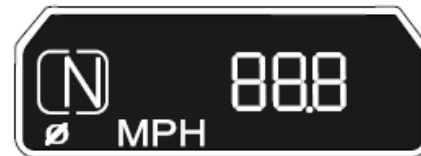
Trip A



Average Fuel Consumption



Trip B



Average Speed



Range



Distance to Next Service