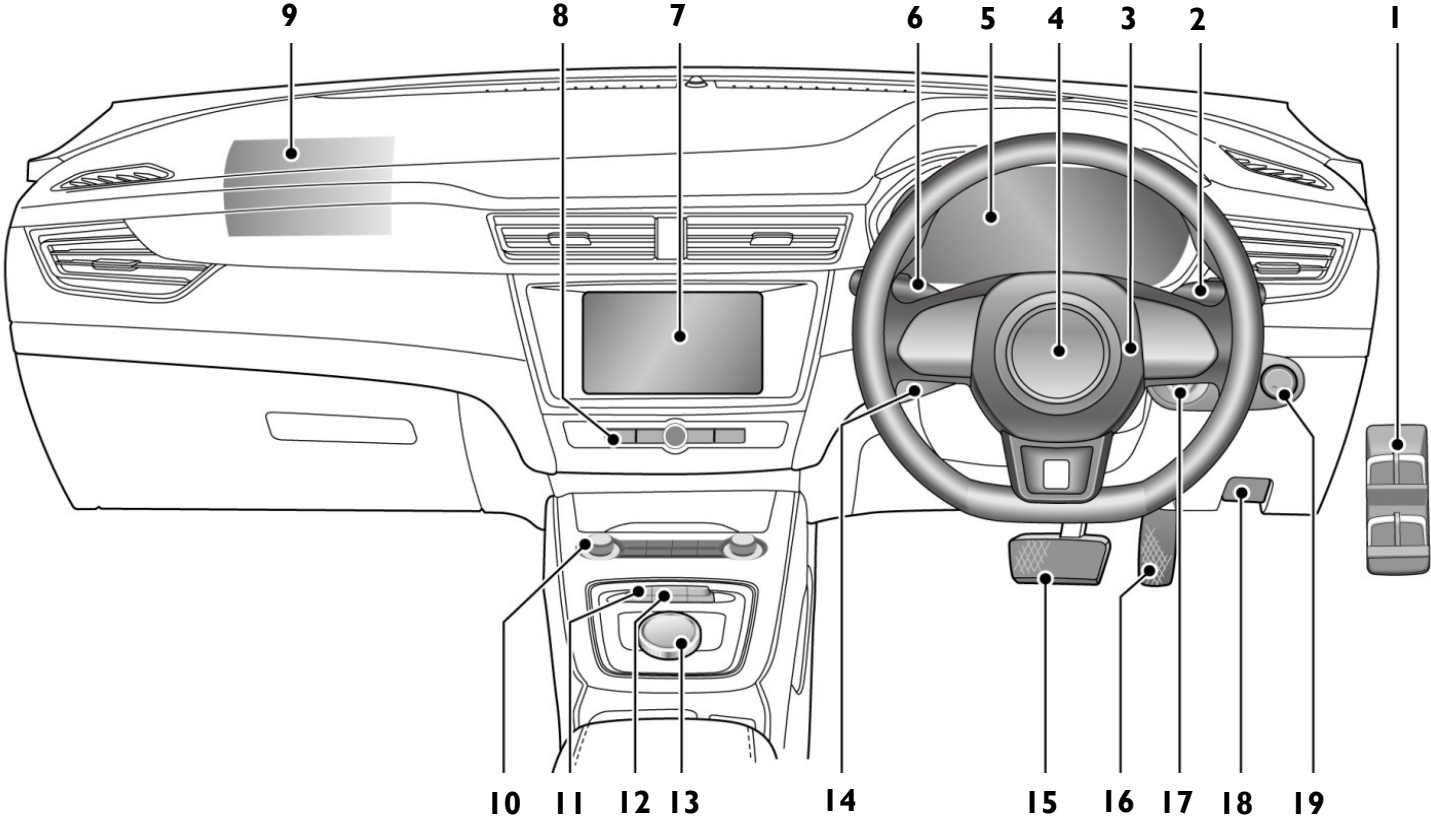


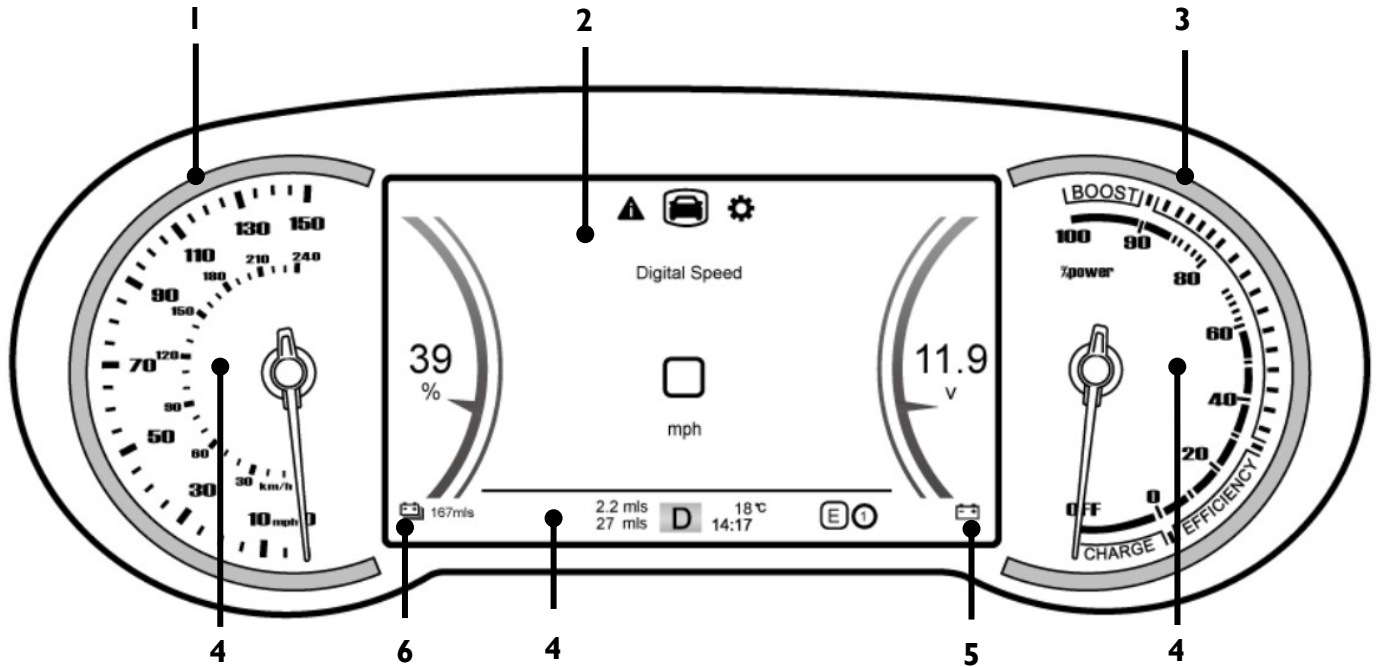
Interior Layout



Interior Layout

1. Power Window Switch
2. Wiper Stalk Switch
3. Horn Button
4. Driver Airbag
5. Instrument Pack
6. Direction Indicator/Main Beam Stalk Switch
7. Onboard Entertainment System
8. Onboard Entertainment System Controls
9. Passenger Airbag
10. Air Conditioning Controls
11. Driving Mode Selection Switch
12. Energy Regeneration (KERS) Mode Selection Switch
13. Shift Control Knob
14. Cruise Control Stalk Switch
15. Brake Pedal
16. Accelerator Pedal
17. Headlamp Levelling & Mirror Adjustment Switch
18. Bonnet Release Handle
19. START/STOP Switch

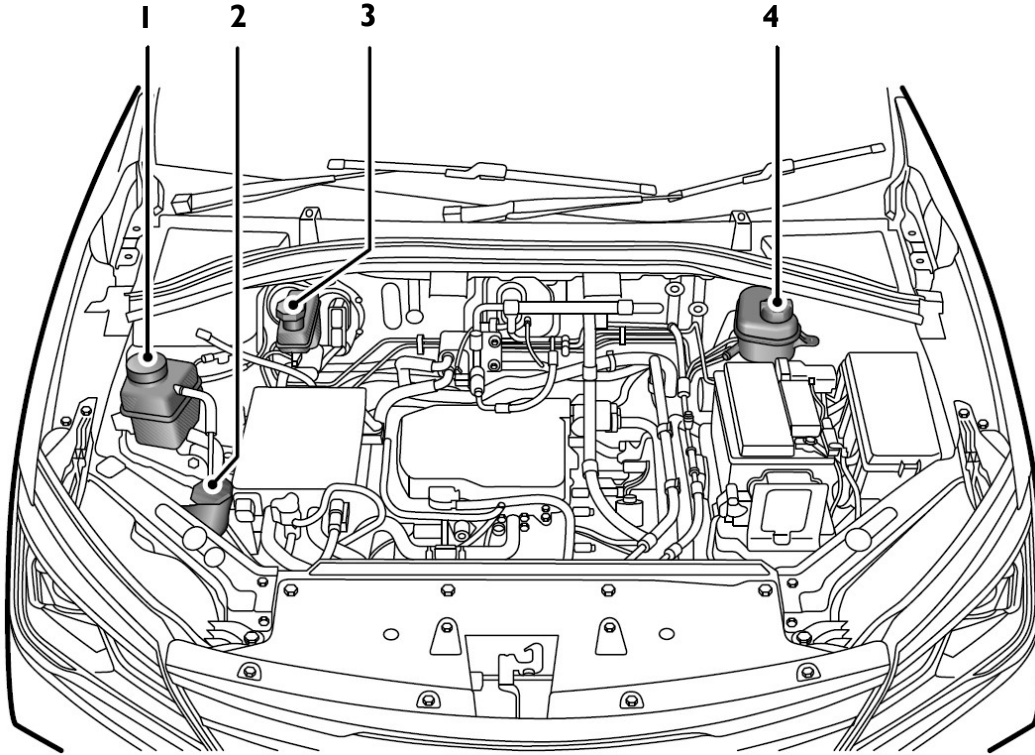
Instrument Pack



1. Speedometer - Indicates road speed in miles and kilometres per hour
2. Information Centre Display - Warnings, Trip Computer and Settings are communicated via this display.
3. Power Meter - Indicates the current power status as a positive or negative percentage.
4. Warning Lamp Display Areas (multiple warning lamps feature in these areas).
5. 12V Battery Power Gauge - Displays the current charge level of the 12V low voltage battery.
6. HV Battery Power Gauge - Displays the current charge level and range of the high voltage battery.

Please consult Owners Handbook for detailed warning light description and function

Underbonnet Locations



- | | | | |
|----|--|----|--|
| 1. | Electric Drive Transmission Expansion Tank (black cap) | 3. | Brake Fluid Reservoir (black cap) |
| 2. | Washer Fluid Reservoir (blue cap) | 4. | Battery Coolant Expansion Tank (black cap) |

Recommended Fluids, Capacities and Pressures

Battery Coolant	Glycol (OAT)	Battery Type 1	4.4 Litres
		Battery Type 2	4.8 Litres
Electric Drive Transmission Coolant	Glycol (OAT)	Battery Type 1	4.2 Litres
		Battery Type 2	4.0 Litres
Electric Drive Transmission Oil	Shell E-Fluids E6 iX (SL2808)		0.9 Litres
Brake Fluid	DOT 4		0.8 Litres
Washer Fluid	ZY-VIII		2.5 Litres
Air Conditioning Refrigerant	R1234yf		600 +/- 20g
Air Conditioning Oil	SP-A2		150 +/- 10g

Tyre Pressures (cold)	Normal
Front	16” 2.2 bar (32 psi)
Rear	16” 2.2 bar (32 psi)

Remote Key, Start/Stop Switch and Powering

Indicator OFF (OFF)

- Power system OFF
- Power mirrors remain operational

Indicator YELLOW (ACC)

- Pressing START/STOP Switch without footbrake applied enters ACC mode
- Allows operation of certain ancillaries such as power windows

Indicator GREEN (ON/READY)

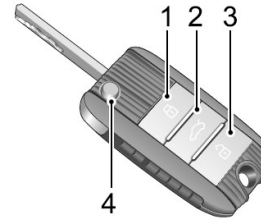
- Pressing START/STOP Switch without footbrake applied whilst in ACC mode enters ON Mode
- Pressing START/STOP Switch from any state with footbrake applied and P selected enters READY Mode
- ON Mode, some electrical equipment will function.
- READY mode, all electrical equipment is functional and car is ready to be driven.



Please consult Owners Handbook for detailed starting description and function

Locking and Unlocking

1. Lock button
2. Tailgate release button
3. Unlock button
4. Key Blade Release



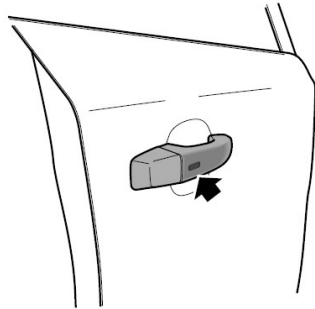
Keyless Locking *

Upon exiting the vehicle, press the button on the front door handle once (no need to press the lock button on the key) to lock all doors before walking away from the car, the vehicle will enter the immobilised/alarm armed state.

Keyless Unlocking *

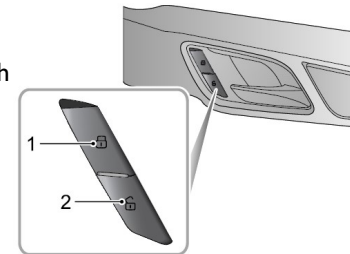
Press the button on the front door handle once to unlock the car, then pull the door handle to open the door.

Note: With the vehicle in locked state, pressing the button on the front door handle, and performing no other operations within 30 seconds, automatically relocks the car.



When the anti-theft alarm system is not armed or in operation, press the lock switch (1) to lock all doors; press the unlock switch (2) to unlock all doors.

Note: If the anti-theft alarm system is switched on, pressing the lock/unlock button will not lock/unlock the doors but will trigger the alarm system



Charging

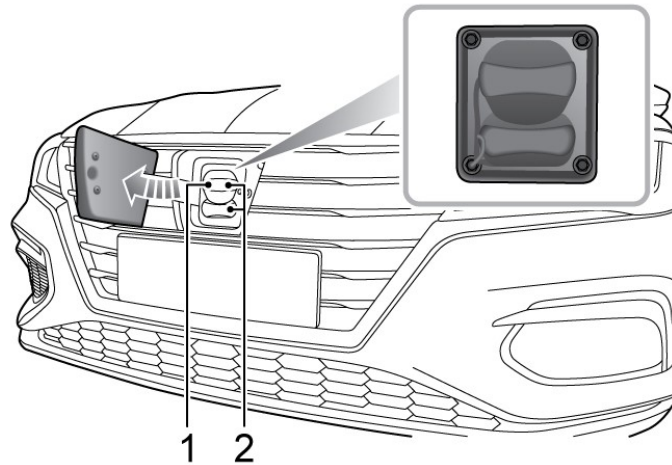
Charging Port

The charging port is located behind the charging port door centrally mounted in the front bumper.

To open the door, ensure the vehicle is unlocked, press the MG badge and release - the door will open. Pull and swing the door to reveal the waterproof blanking plugs.

The upper plug covers the 7 pin slow/fast charging socket (1), the lower plug covers the rapid charging socket (2).

1. Slow and Fast Charge Port - 7 Pin - Type 2 Plug
2. Rapid Charge Port - 7 Pin and 2 Pin - CCS Type Plug



Note: In order to use the rapid charger socket both waterproof plug covers will require removal.

After charging, refit the waterproof plug covers (2 pin rapid charge socket cover first), close the charging port door and using the MG badge, push the door fully home until the latch locates.

ALWAYS ensure that any excess water is removed from the port area before connecting any charging device.

In order to prevent the charging connector and cable being disconnected inadvertently during charging, the charging socket features an electronic locking mechanism.

The electronic lock is activated as soon as the vehicle is locked, and remains in a locked state until the car is unlocked. Only when the vehicle is unlocked can the charging connector be unplugged.